



Frontier Electronics Corp.

667 E. COCHRAN STREET, SIMI VALLEY, CA 93065

TEL: (805) 522-9998 FAX: (805) 522-9989

E-mail: frontiersales@frontierusa.com

Web: <http://www.frontierusa.com>

60A SCHOTTKY BARRIER RECTIFIERS

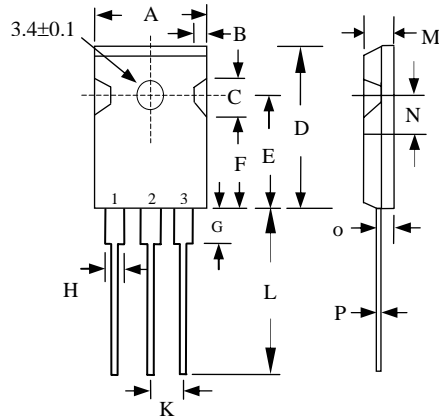
SR60-03-LFR THRU SR60-06-LFR

FEATURES

- LOW SWITCHING NOISE
- LOW FORWARD VOLTAGE DROP
- LOW THERMAL RESISTANCE
- HIGH CURRENT CAPABILITY
- HIGH SWITCHING CAPABILITY
- HIGH SURGE CAPABILITY
- HIGH RELIABILITY
- ROHS

MECHANICAL DATA

- CASE: MOLDED PLASTIC, TO-3P, DIMENSIONS IN INCHES AND (MILLIMETERS)
- EPOXY: UL94V-0R RATE FLAME RETARDANT
- LEAD: MIL-STD-202E METHOD 208C GUARANTEED
- MOUNTING POSITION: ANY
- WEIGHT: 6.4 GRAMS



	MILLIMETERS	
	MIN	MAX
A	-	16.2
B	1.7	2.7
C	5.0	6.0
D	-	22.0
E	14.8	15.2
F	11.7	12.7
G	-	4.5
H	-	2.5
I	-	3.5
J	1.1	1.4
K	5.25	5.65
L	19.0	-
M	4.7	5.3
N	2.8	3.2
O	2.4	2.8
P	0.45	0.85

MAXIMUM RATINGS AND ELECTRICAL CHARACTERISTICS RATINGS AT 25°C AMBIENT TEMPERATURE UNLESS OTHERWISE SPECIFIED SINGLE PHASE, HALF WAVE, 60 HZ, RESISTIVE OR INDUCTIVE LOAD. FOR CAPACITIVE LOAD, DERATE CURRENT BY 20%

RATINGS	SYMBOL	SR60-03 -LFR	SR60-035 -LFR	SR60-04 -LFR	SR60-045 -LFR	SR60-05 -LFR	SR60-06 -LFR	UNITS
MAXIMUM RECURRENT PEAK REVERSE VOLTAGE	V_{RRM}	30	35	40	45	50	60	V
MAXIMUM RMS VOLTAGE	V_{RMS}	21	24	28	31	35	42	V
MAXIMUM DC BLOCKING VOLTAGE	V_{DC}	30	35	40	45	50	60	V
MAXIMUM AVERAGE FORWARD RECTIFIED CURRENT (SEE FIG.1)	I_o	60.0						A
PEAK FORWARD SURGE CURRENT, 8.3ms SINGLE HALF SINE-WAVE SUPERIMPOSED ON RATED LOAD	I_{FSM}	300						A
STORAGE TEMPERATURE RANGE	T_{STG}	- 55 TO + 150						°C
OPERATING TEMPERATURE RANGE	T_{OP}	- 55 TO + 125				- 55 TO + 150		°C

ELECTRICAL CHARACTERISTICS (A_T T_A =25°C UNLESS OTHERWISE NOTED)

CHARACTERISTICS	SYMBOL	SR60-03 -LFR	SR60-035 -LFR	SR60-04 -LFR	SR60-045 -LFR	SR60-05 -LFR	SR60-06 -LFR	UNITS
MAXIMUM FORWARD VOLTAGE AT 30A DC	V_F	0.65				0.75		V
MAXIMUM REVERSE CURRENT AT 25°C	I_R	10.0						mA

RATINGS AND CHARACTERISTIC CURVES SR60-03-LFR THRU SR60-06-LFR

FIG. 1 - FORWARD DERATING CURVE

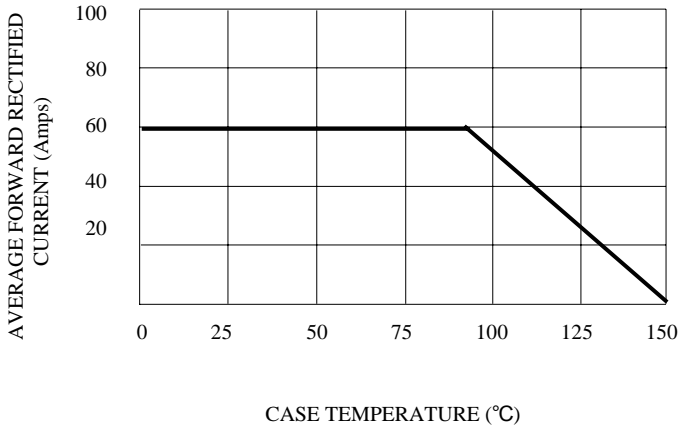


FIG. 2 - PEAK FORWARD SURGE CURRENT

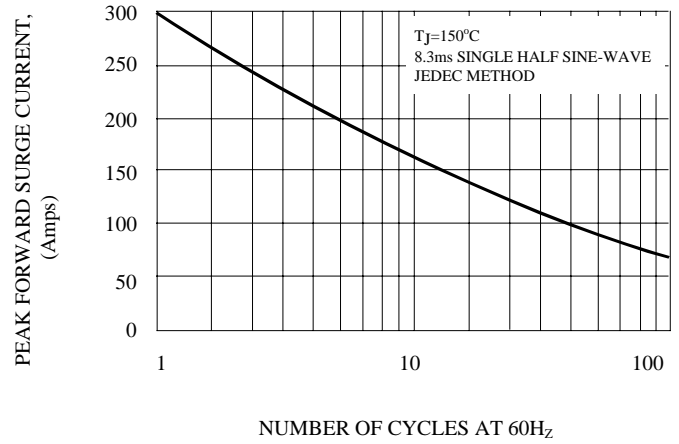


FIG. 3 - TYPICAL REVERSE CHARACTERISTICS

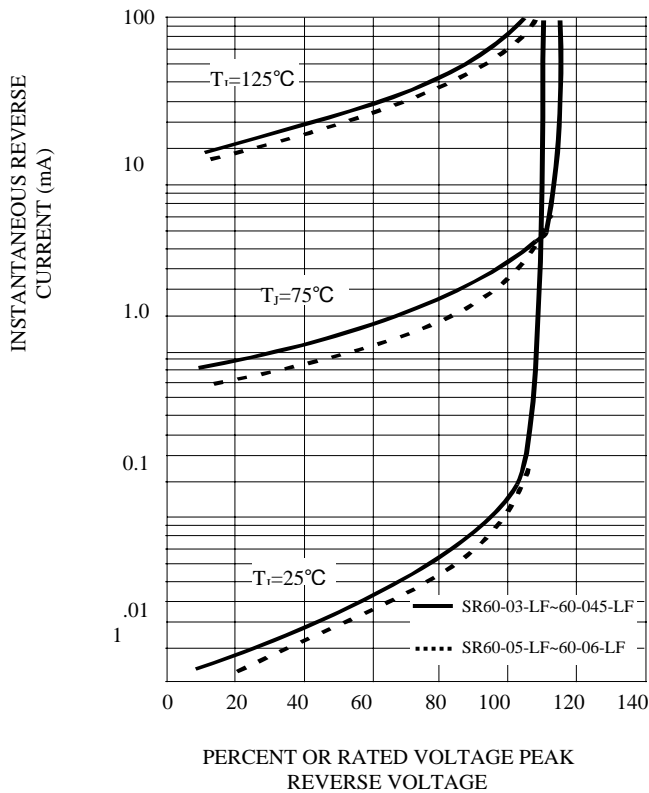


FIG. 4 - TYPICAL FORWARD CHARACTERISTIC

